

# PE200S

Atom® X Series Processor, DDR3L SO-DIMM, DP, HDMI,  
Dual-LAN, Multiple COM, 12-24V DC

## Features

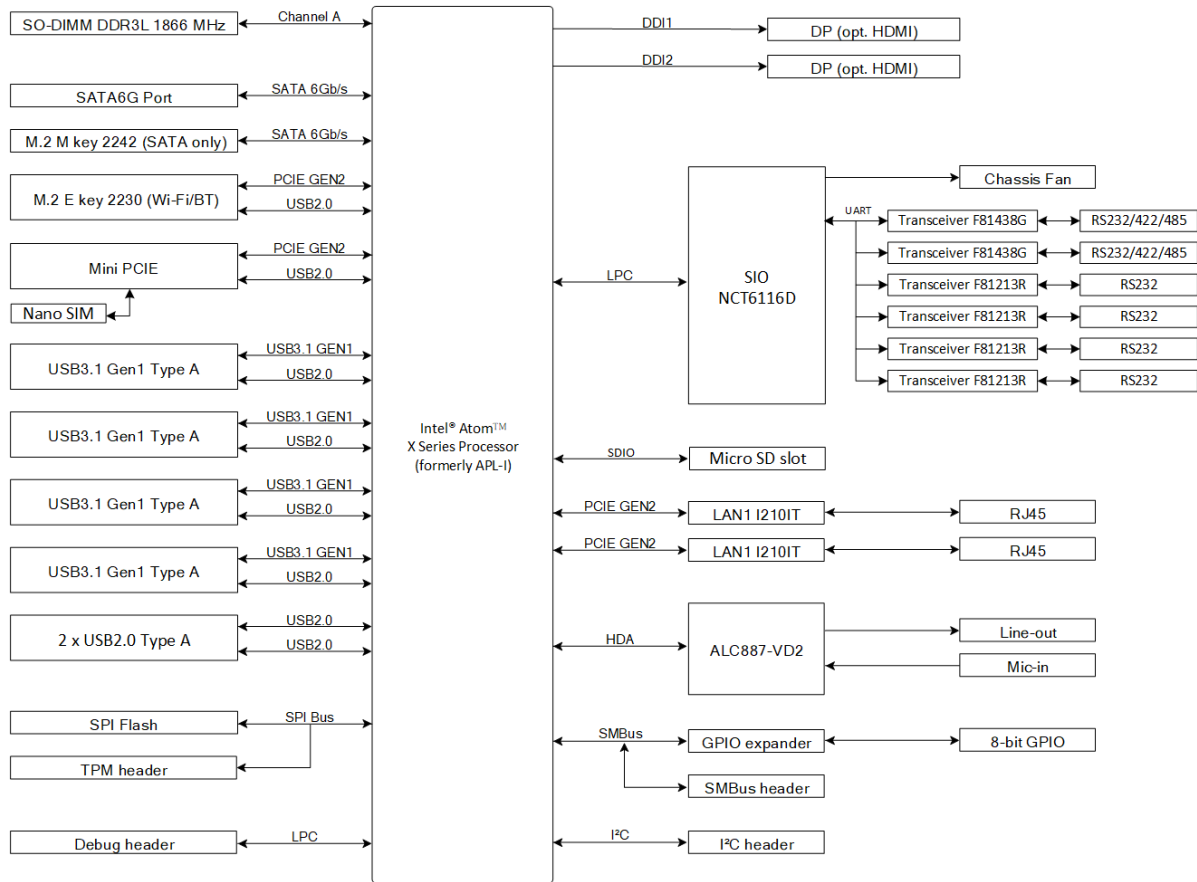
- Up to 6 COM ports, includes 2 x RS-232/422/485
- Supports 2 display configuration by multiple interface: DP/HDMI
- Supports I<sup>2</sup>C, SMBus and DIO
- Wide temperature range endurance



## Specifications

CPU	Intel Atom® X Series Processor (formerly Apollo Lake-I)
Chipset	Integrated
Memory	4GB/8GB DDR3L
Expansion Slots	1 x M.2 Socket 1 with E key, type 2230 for WIFI/BT device 1 x Full-Length Mini PCIe slot with an on-board Nano-SIM socket
Storage	1 x SATA 6Gb/s connector 1 x M.2 Socket 3 with M key, type 2242 (SATA mode) 1 x Micro SD Card slot (on-board)
Display	Multi-VGA output support :DP/HDMI ports
USB	4 x USB3.1 Gen1 Type-A ports 2 x USB2.0 Type-A ports (optional)
Serial Port	2 x RS-232/422/485 ports 4 x RS-232 ports (optional)
Internet	Dual RJ45 connectors (2 x Intel® I210IT)
Audio	Realtek ALC887-VD2 High Definition Audio CODEC
Internal I/O	1 x Chassis fan header 1 x Clear CMOS jumper 1 x LPC Debug header 1 x SMBus header 1 x I <sup>2</sup> C header
GPIO	1 x 8bit GPIO
TPM	TPM 2.0 (optional discrete module)
BIOS	128 Mb Flash ROM, UEFI AMI BIOS, PnP, DMI 2.0, WfM 2.0, SM BIOS 3.0, ACPI 6.0, Multi-language BIOS, ASUS EZ Flash 3, Last Modified Log, ErP
Watch dog timer	Yes
Power requirement	12-24V DC input
Operation Temperature	-20~60°C (w/ selected memory and storage)
Non-Operation Temperature	-40~85°C
Relative Humidity	0%~85%
Operating System Support	Windows® 10 (64-bit) / Windows® 10 IoT Enterprise / Linux
Form Factor	254 x 147 x 57 mm

# Block Diagram



## Ordering Information

Model Name	Description
PE200S	Atom® X Series Processor, DDR3L SO-DIMM, DP, HDMI, Dual-LAN, Multiple COM, 12-24V DC

## Optional Accessories

Part Number	Description
15000-	VESA-mount kit

## Packing List

Part Number	Description
15000-	Screw pack
15000-	SATA cable
15000-	Wall-mount kit
15000-	Driver DVD

## OS Option

Type	Version
Windows 10	IoT Enterprise