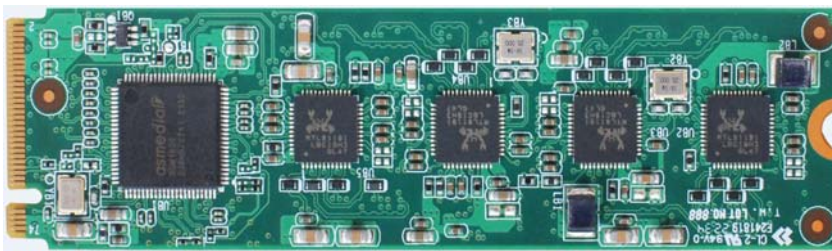




## ADM2MGQL



1. ASMEDIA ASM1806
2. 4\*REALTEK® RTL8119I



### Specifications

#### Form Factor

Dimensions -22 x 80mm (M.2 M key)

#### Processor System

Chip - ASMEDIA ASM1806

Control - REALTEK® RTL8119I \* 4

#### Internal Connector

Ethernet - 4(10/100/1000 Mbps)

#### Certifications

Lightning strike test Support Thunder Protection Function for 10KV

IEEE Agreement Support IEEE 802.3x Full Duplex flow control

Support IEEE 802.3az -2010 (EEE)

Fully compliant with IEEE 802.3, IEEE 802.3u, IEEE 802.3ab

Support IEEE 802.1Q VLAN tagging

Support IEEE 802.1P Layer 2 Priority Encoding

Support jumbo frame to 9K bytes

#### Environment

Temperature - Operating: -20°C ~ 80°C

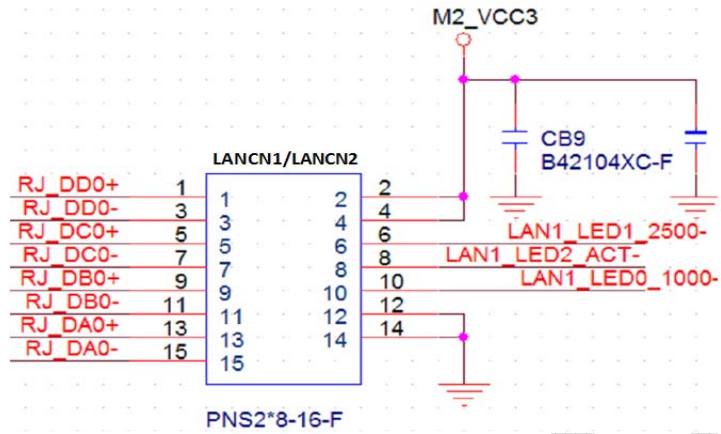
- Storage: -30°C ~ 85°C

#### Warranty

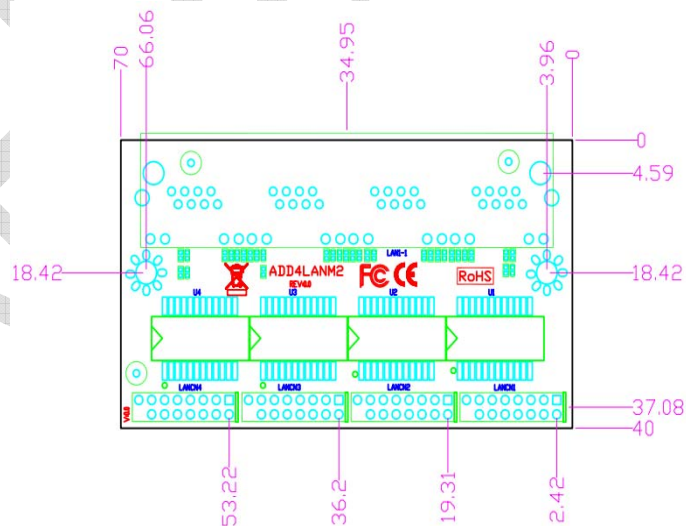
Warranty

- 2 Years Limited Warranty

PIN Define:



Connection mode:



## Optional Accessories

Parts Number	Description
-----	ADM2MGQL
J2ADD4LANM2 *1	4*RJ45 CARD (Size: 70*40mm)
G01-2X8K16-25-F*4	CABLE 2*8K16 TO 2*8K16 P=2.0 25CM