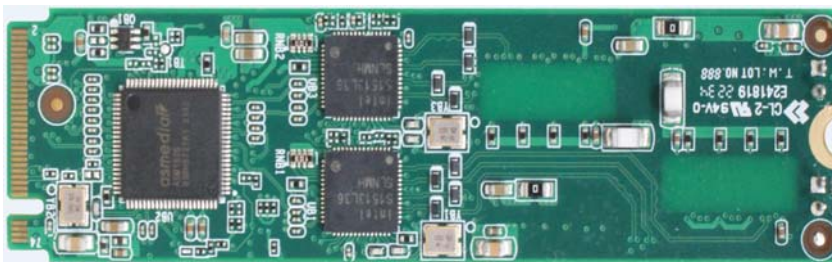




ADM2M2G5DL



1. ASMEDIA ASM1806
2. 2*INTEL® I226-V



Specifications

Form Factor

Dimensions -22 x 80mm (M.2 M key)

Processor System

Chip - ASMEDIA ASM1806

Control - INTEL® I226-V * 2

Internal Connector

Ethernet - 2(10/100/1000/2500 Mbps)

Certifications

Lightning strike test Support Thunder Protection Function for 10KV

IEEE Agreement Support IEEE 802.3u auto-negotiation conformance

Support IEEE 1588 – Basic time-sync (Precision Time Protocol)

Support IEEE 802.Qav – Credit Based Shaping and Basic scheduling

Support IEEE 802.Qbu – Frame Preemption

Support IEEE 802.Qbv – Time Aware Shaper

Support IEEE 802.3br – Interspersing Express Traffic

Environment

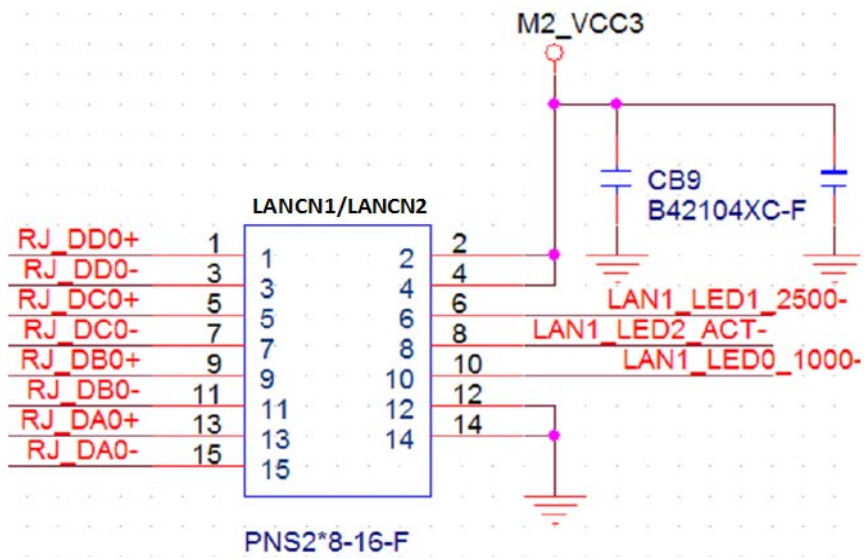
Temperature - Operating: -10°C ~ 70°C

- Storage: -20°C ~ 80°C

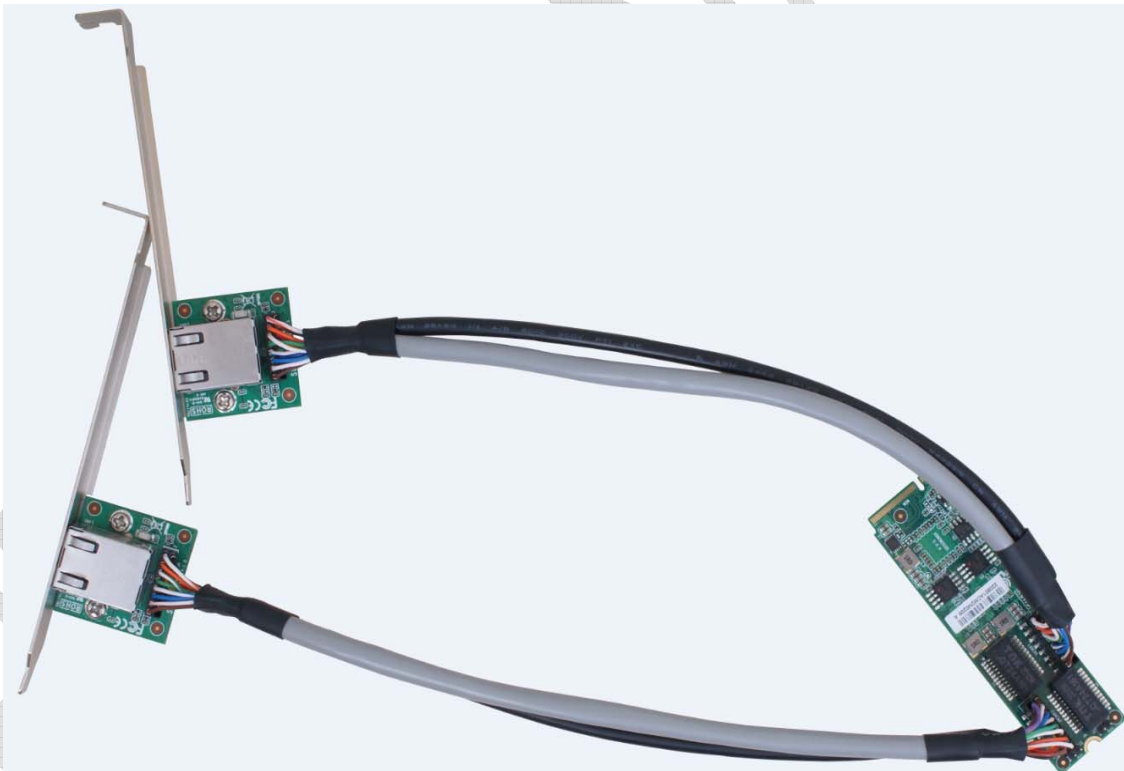
Warranty

Warranty - 2 Years Limited Warranty

PIN Define:



Connection mode:



Optional Accessories

Parts Number	Description
-----	ADM2M2G5DL
J2ADSLANCNCR10-25G *2	RJ45 CARD
G01-2X8K16-25-F*2	CABLE 2*8K16 TO 2*8K16 P=2.0 25CM