

ACTIVE MINI-ITX HEATSINK F5000-C020

Motherboard Accessories



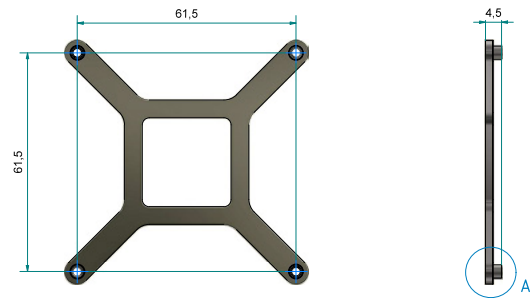
Active Heatsink Kit for Mini-ITX Motherboard D3713

- ▶ Designed for the AMD Ryzen™ Embedded R1000/V1000 processor series up to 54 W TDP
- ▶ Copper/aluminium with fan
- ▶ Max. 54 W TDP
- ▶ Spring-loaded mounting screws for specified downforce
- ▶ Weight: ~270 g (cooler) + 21 g (backplate)

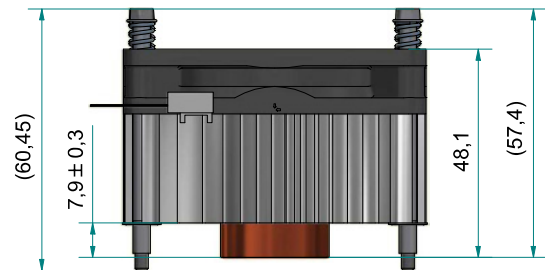
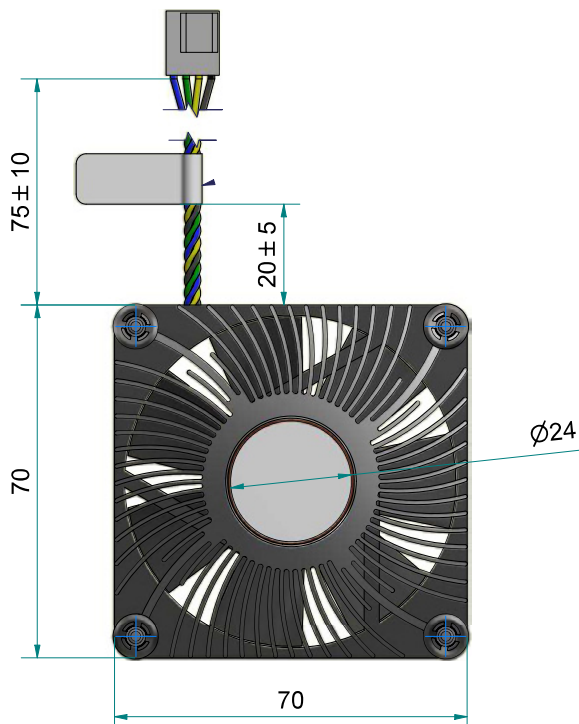
TECHNICAL INFORMATION

FAN DIMENSIONS	70 x 70 x 15 mm
OPERATING VOLTAGE	12 V; PWM
POWER CONSUMPTION	max. 0.4 A/4.8 W @ 100 % PWM 5.100 rpm +/- 10 % @ 100 % PWM 600 rpm +/- 400 rpm @ 0-20 % PWM Max. 42 dB(A) @ 100 % PWM Two ball bearing, fan cable = 75 mm +/- 10 mm
MTBF	50.000 hrs @ 40 °C
OPERATING TEMPERATURE	-10 °C...70 °C
RECOMMENDED MOUNTING SCREW TORQUE	max. 0.8 Nm
MOUNTING BACKPLATE	Metal backplate, provides 4 mounting threads for heatsink
BACKPLATE MOUNTING HOLES	M3; hole spacing = 61.5 mm x 61.5 mm
SUPPORTED MAINBOARDS	D3713-R/-V

BACKPLATE



DIMENSION



▶ ORDERING INFORMATION

ARTICLE	PART NO.	DESCRIPTION
ACTIVE HEATSINK	F5000-C020	Package contains 20x active cooler incl. 20x backplate

▶ Global Headquarters

Kontron S&T AG

Lise-Meitner-Str. 3-5
86156 Augsburg, Germany
Tel.: + 49 821 4086 0
Fax: + 49 821 4086 111
info@kontron.com
www.kontron.com